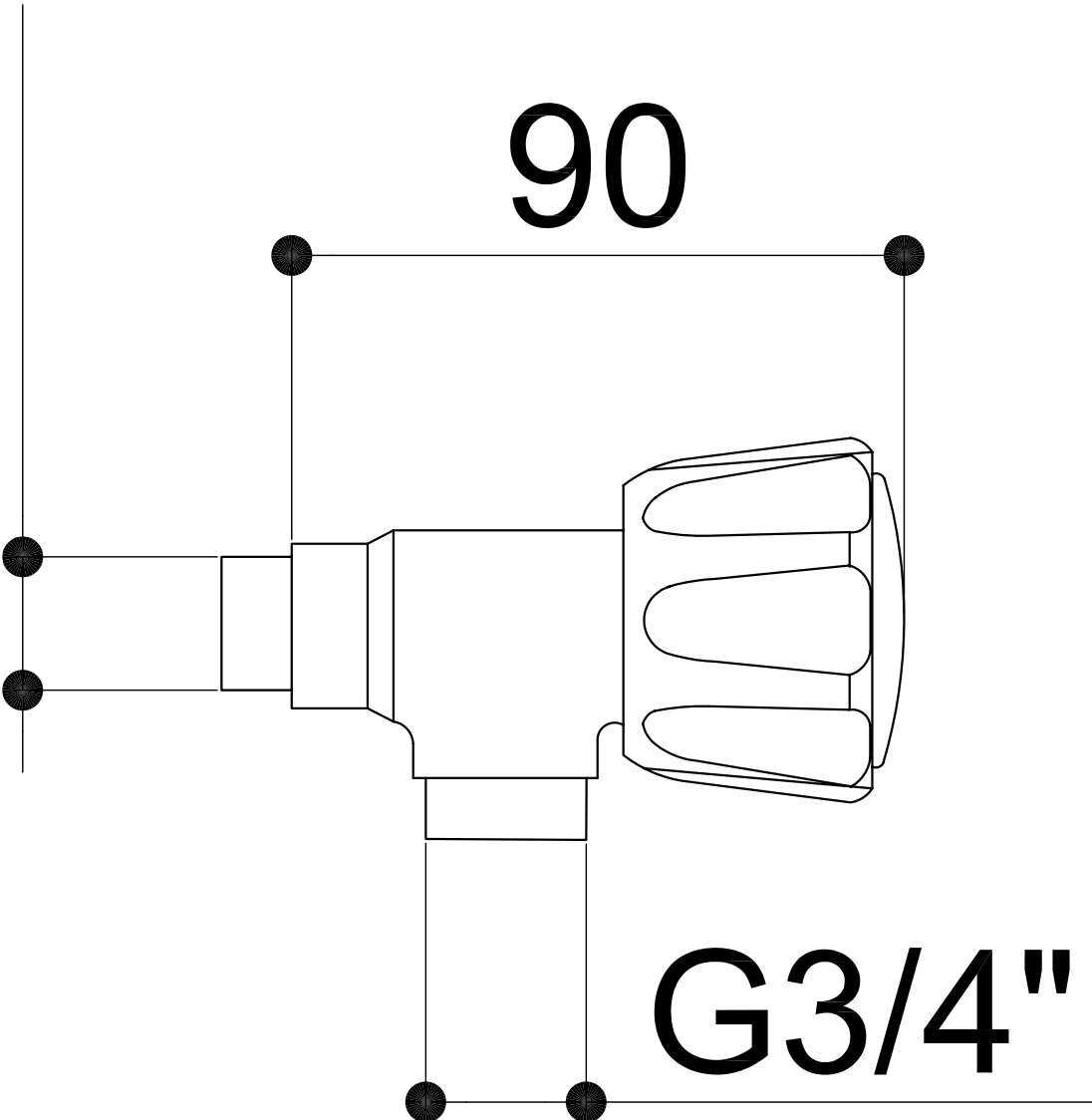


G1/2"

90



G3/4"